



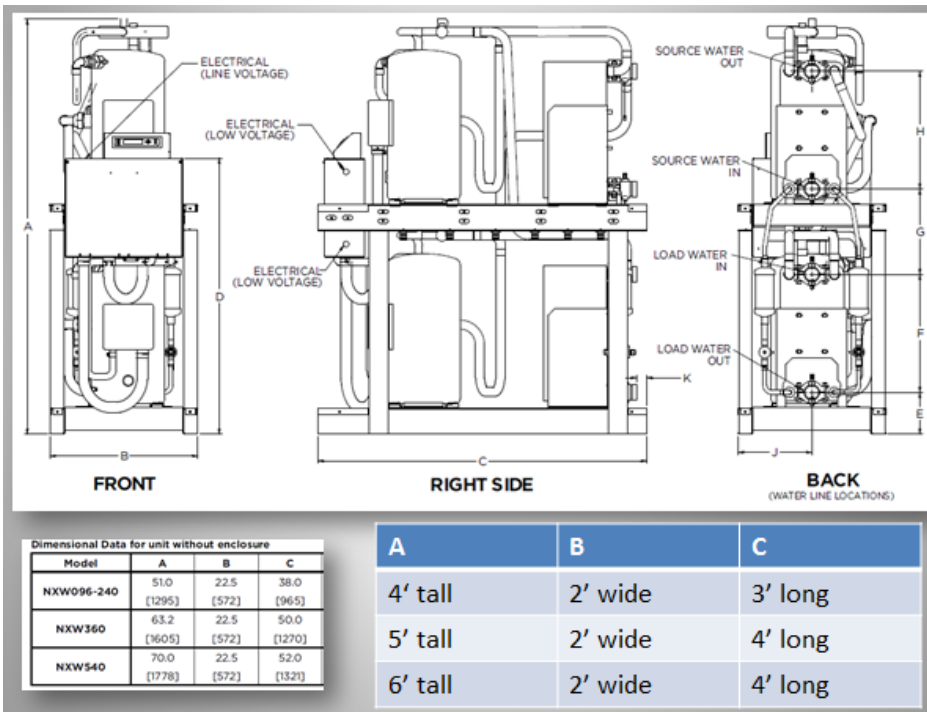
Welcome to PPORTUNITY, a monthly newsletter provided by Jacco & Associates. Jacco's focus on engineering and design concepts will improve your HVAC system while significantly reducing design time, making you more productive for your clients.

### July Feature:



## Modular & Reversible Heat Pump Chillers!

Water Furnaces NXW Series Reversible Chillers Are Available From 8 To 50 Tons. Pipe Multiple Chillers Together To Handle Increased Loads And Provide System Redundancy. Now You Can Provide An Owner With An Efficient Geothermal Or Water Source System With All The Major Mechanical Components Being Located In a Single Mechanical Room. Piping Can Also Be Designed To Provide Full Cooling Or Heating During The Primary Months, Or A Combination During The Shoulder Months. The Cabinets Are Also Designed To Fit Through Standard Door Sizes....Great For Retrofit Projects!



### When The Central Plant Becomes Geo, The Distribution System Can Be:

- Fan Coils
- Air Handlers
- Variable Fan Coils
- Chilled Beams
- Radiant Heating
- DOAS
- Humidity Control
- Domestic Water

**Go To [www.waterfurnace.com](http://www.waterfurnace.com) For Free Psychrometric Chart Software!**

### July Question & Answer:

**Question:** The EER Rating Of A Heat Pump System Will Affect Which Of The Following?

- A.) Duct Size   B.) Well Field   C.) Ventilation Amount   D.) None Of The Above

**Prize:** Golf Buddy Tour GPS!

### Last Month's Question & Answer Winner!

**Question:** Buildings consume approximately what percent of all the energy in the US?

**Answer:** C.) 40% Congratulations to Mike Lane for winning (4) Tickets To Cedar Point!

To remove your name from our mailing list, please [click here](#).