

Welcome to SOLUTIONS, a monthly newsletter provided by Jacco & Associates. Jacco's focus on system knowledge provides you with the engineering support and product solutions for your applications.

April Feature:

Advantages: One-Pipe Geothermal Heat Pump Design

Jacco Is Sponsoring A Water Furnace Seminar May 14th and 15th. Be sure to sign up!

The standard approach to a geothermal loop system is a two-pipe network. According to an ASHRAE Journal article, one-pipe distribution loops are a simpler, more cost effective, approach.

Cost

-Initial cost: A one-pipe system will use less piping than a two-pipe arrangement. More fittings, pipe insulation, and valves.

-Less material to install = less time to install. Lower labor costs.

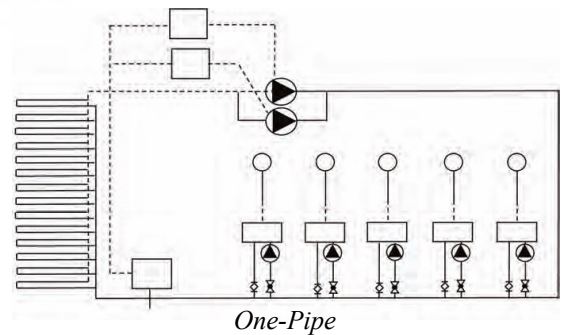
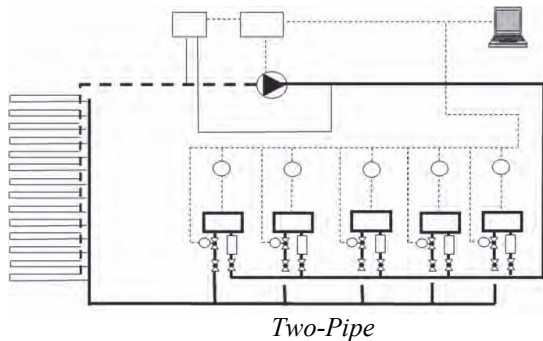
-A simpler system can mean simpler maintenance. With two main pumps, a one-pipe system can still operate with one pump receiving maintenance.

Simplicity

-Less piping means less pressure loss

-Easier to control flow. Two-pipe systems require control through motorized isolation valves, flow control valves, etc.

-Easier to install because it is a simpler system. The loop consists of two main pumps and an individual circulator within each unit



April Question & Answer:

Question: What Does A Net Energy Loop In A One Pipe System Refer To?

Answer: A.) Circulator Pumps B.) Byproduct Of Domestic Hot Water C.) Variations in Loop Temperature

Prize: (4) Adult One Day Tickets To Cedar Point!

Respond by May 16th with the correct answer to be entered in the raffle for this month's prize!

Last Month's Question & Answer Winner!

Question: How Much Annual Savings Is Possible By Switching From A Typical 1980's System To Waterfurnace?

Answer: Congratulations To Jared Singer For Winning A Timex Global Trainer Speed, Distance & GPS Watch!

To remove your name from our mailing list, please [click here](#).